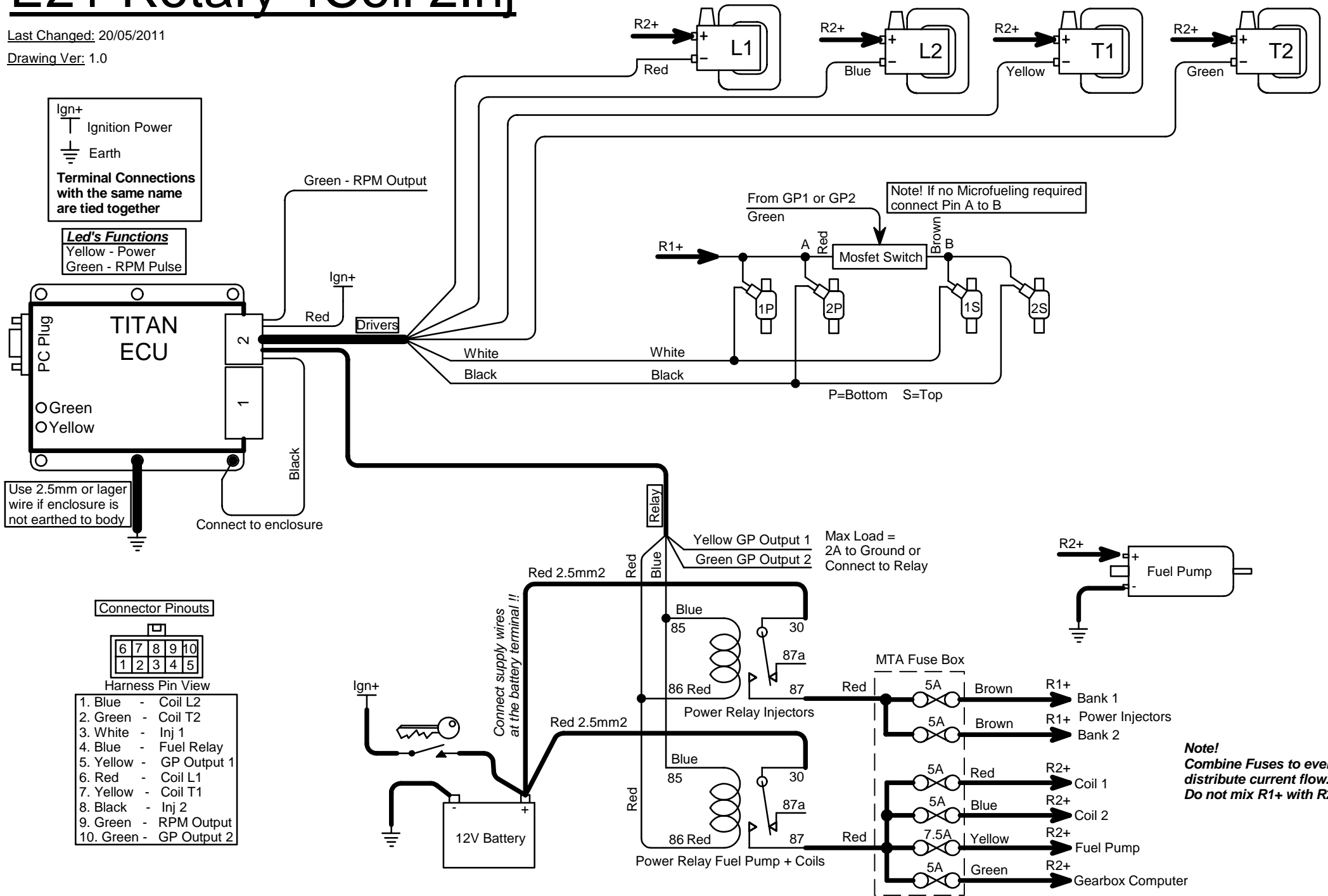


E21 Rotary 4Coil 2Inj

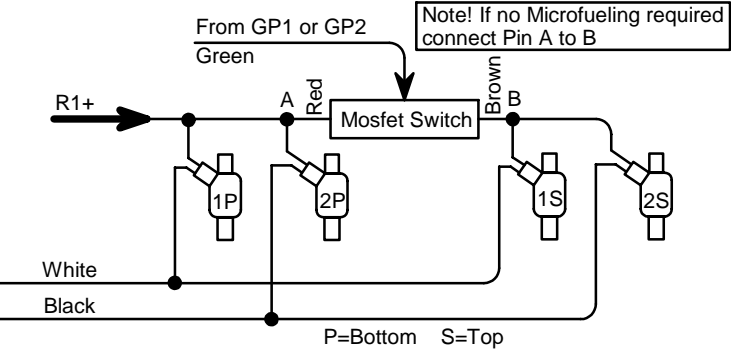
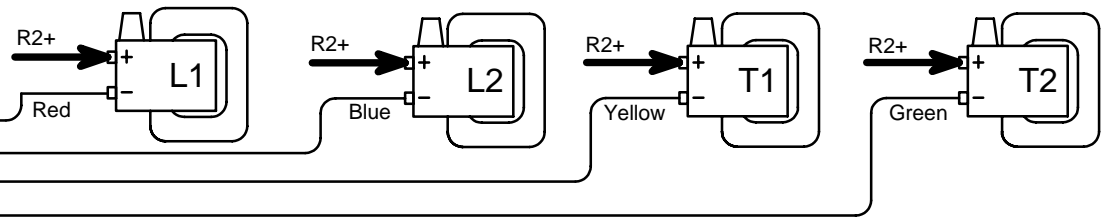
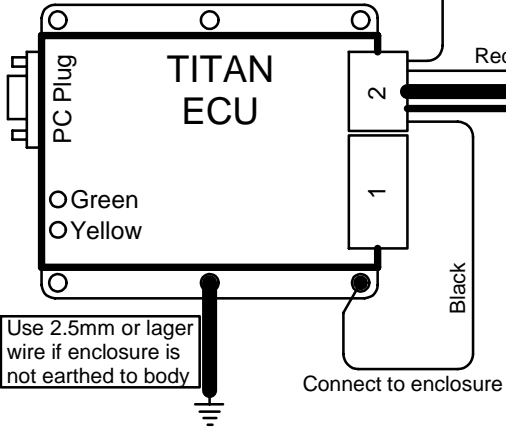
Last Changed: 20/05/2011

Drawing Ver: 1.0

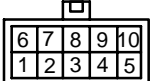


Ign+
T Ignition Power
Earth
Terminal Connections with the same name are tied together

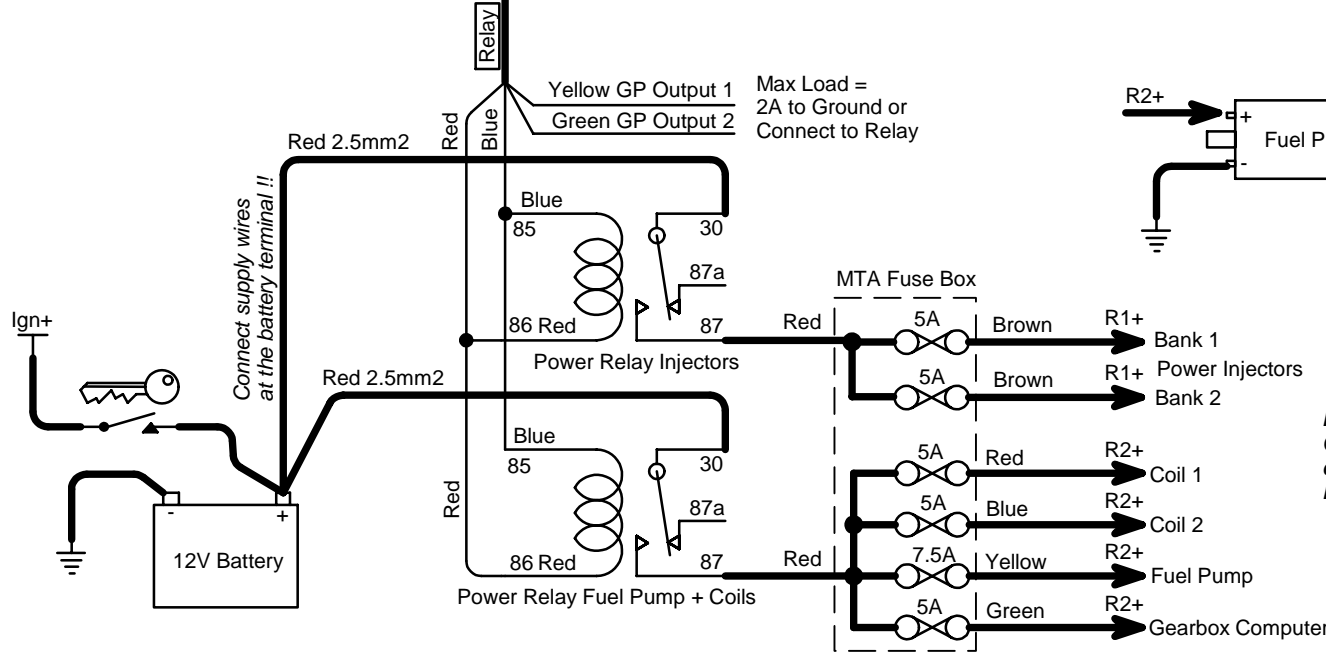
Led's Functions
Yellow - Power
Green - RPM Pulse



Connector Pinouts



- 1. Blue - Coil L2
- 2. Green - Coil T2
- 3. White - Inj 1
- 4. Blue - Fuel Relay
- 5. Yellow - GP Output 1
- 6. Red - Coil L1
- 7. Yellow - Coil T1
- 8. Black - Inj 2
- 9. Green - RPM Output
- 10. Green - GP Output 2



Note!
Combine Fuses to evenly distribute current flow.
Do not mix R1+ with R2+